

Pressure indicator

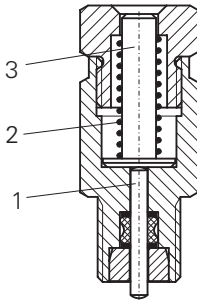
The pressure indicator locates locked lubrication point lines or blocked progressive distributors.

It can be used in the distributor inlet as well as in the distributor outlets for the blockade monitoring of individual lube points and series-connected progressive distributors (secondary distributors).

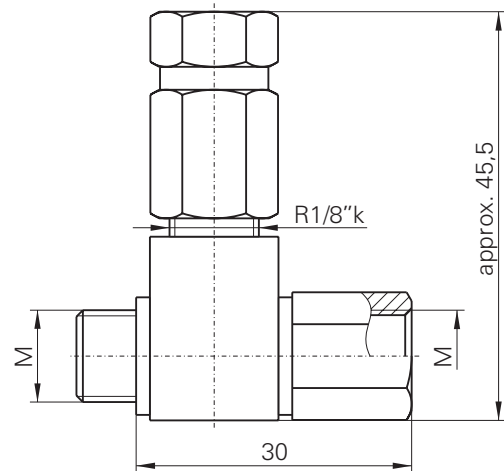
The pressure indicator can any time be retrofitted.

The pressure indicators can be ordered for different pressure ranges (see table). This is effected by the installation of different fields (2).

The indicator pins (3) are marked with different colors and each color is assigned to a pressure indicator value.



Pressure indicator with swivelling fitting



Order-no. of the pressure indicator with swivelling fitting according to FAZ03209-00:

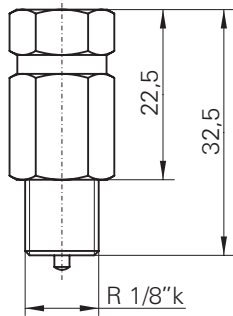
Pressure (bar)	Color	Thread M	Order-no.
30	silver	M10x1	4045 00 01 00 03
		G 1/8	4045 00 01 00 04
50	red	M10x1	4045 00 02 00 03
		G 1/8	4045 00 02 00 04
70	white	M10x1	4045 00 03 00 03
		G 1/8	4045 00 03 00 04
100	yellow	M10x1	4045 00 04 00 03
		G 1/8	4045 00 04 00 04
150	black	M10x1	4045 00 05 00 03
		G 1/8	4045 00 05 00 04
200	green	M10x1	4045 00 06 00 03
		G 1/8	4045 00 06 00 04
250	blue	M10x1	4045 00 07 00 03
		G 1/8	4045 00 07 00 04

Pressure indicator

Pressure indicator for distributor UX-5

The pressure indicator can be installed instead of the test screws at the UX-5-distributors.

Installation dimensions of the pressure indicator:



Order-no. pressure indicator for UX-5:

Pressure (bar)	Color	Pressure indicator
30	silver	4045 00 01 00
50	red	4045 00 02 00
70	white	4045 00 03 00
100	yellow	4045 00 04 00
150	black	4045 00 05 00
200	green	4045 00 06 00
250	blue	4045 00 07 00

Pressure indicator for SX-4 and SXD

Like for the UX-5-distributors, the pressure indicator can here also be installed instead of the test screws but a reducing fitting is necessary. The sealing is effected by an O-ring.

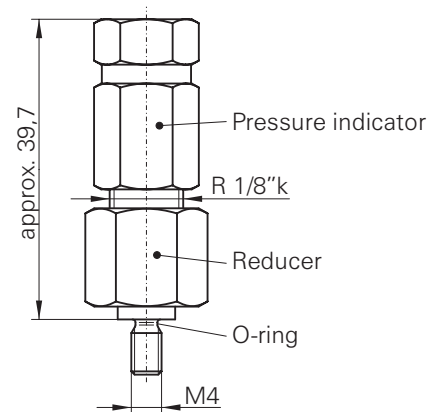
Order-number:

Reducing fitting: F0408/31-00

O-ring 2,9 x 1,78: 09037710022181

See order-no. pressure indicator under UX-5

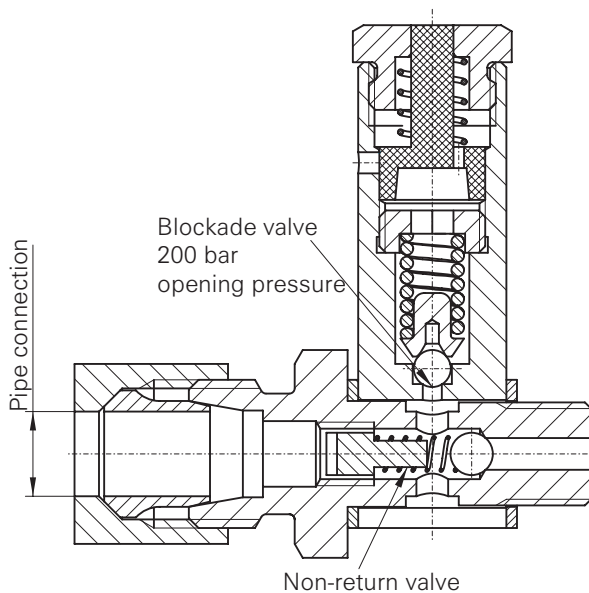
Installation dimensions of the pressure indicator with reducing fitting:



Blockade control

When the progressive distributor blocks because of a locked lubrication point line, the pressure increases, the pin is pushed through the lubricant against the spring force and becomes visible. The lubricant comes out of the opening of the blockade control and the progressive distributor operates again.

Note: When oil is used, the pin returns into its normal position after the lubricant has come out.



Installation dimensions:

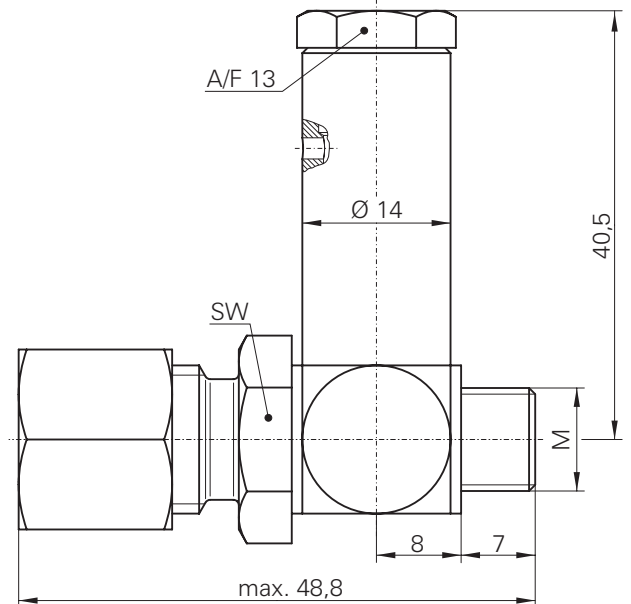


Table of order-no.:

Pipe connection	Thread M	A/F	Order-no.
Ø6 A/F12	M10x1	13	4010960100001
Ø6 A/F12	G 1/8	13	4010960100002
Ø8 A/F17	M10x1	17	4010960100003
Ø8 A/F17	G 1/8	17	4010960100004

Subject to alterations!

Non-return valves

Non-return valves

At higher counter-pressures and at main distributors, the non-return valves have to be installed into each outlet.

Non-return valves for MX-F distributors

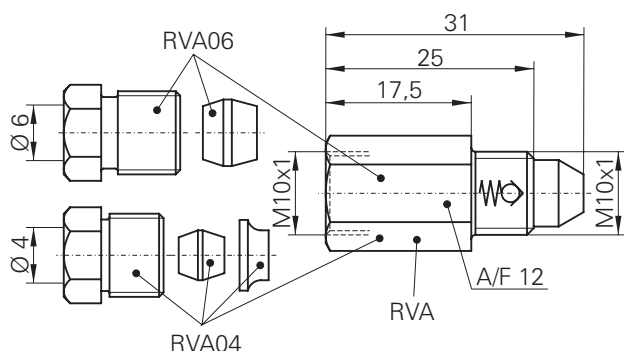
Two different non-return valves are available.

Non-return valve with olive and retaining screw:

Order-no. RVA, non-return valve: 4010960040000

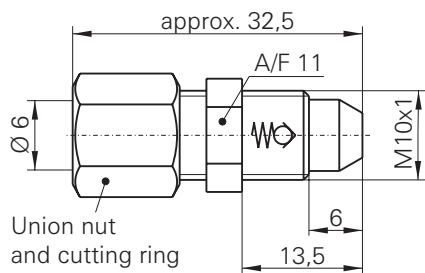
Order-no. RVA04, non-return valve completely with olive (DKR) and reduction: 4010960040010

Order-no. RVA06, non-return valve completely with olive (DKR): 4010960040011



Non-return valve with union nut and cutting ring for pipe-Ø 6:

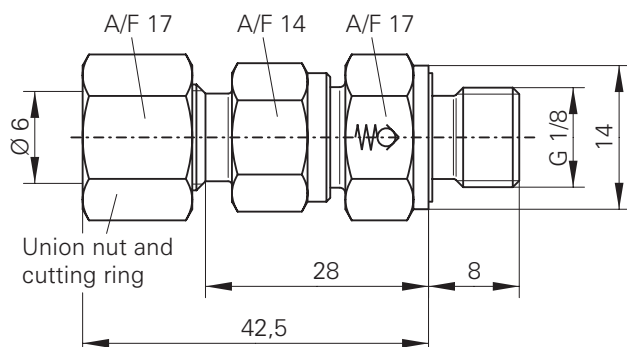
Order-no.: 0438000179



Non-return valve for progressive distributor SX-3 (material V4A)

Non-return valve of the series L for pipe-Ø 6 with union nut and cutting ring:

Order-no. for pipe-Ø 6 L: 0438000301

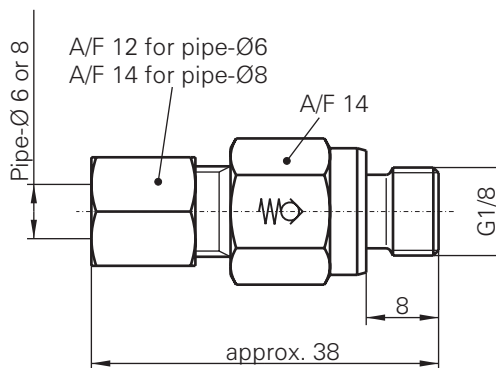


Non-return valves for progressive distributors of different types

Non-return valves of the series LL for pipe-Ø 6 or 8 mm with olive:

Order-no. for pipe-Ø 6 LL: 0438000064

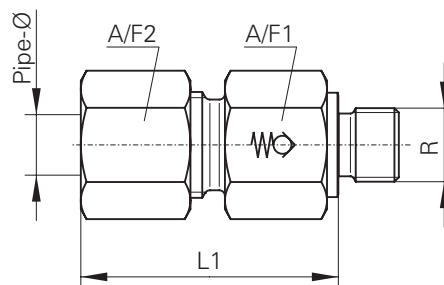
Order-no. for pipe-Ø 8 LL: 0438000063



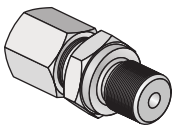
Non-return valves of the series L with union nut and cutting ring according to DIN 2353 (standard):

Table of order-no.:

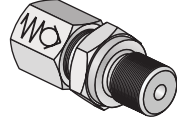
Pipe-Ø	R	A/F 1	A/F 2	L1	Order-no.
6	G 1/8	14	14	34	0438000164
8	G 1/8	14	17	34	0438000148
6	G 1/4	17	14	30	0438000138
8	G 1/4	17	17	30	0438000137
10	G 1/4	19	19	42	0438000396
12	G 1/4	19	22	43	0438000397
6	G 3/8	24	14	30	0438000425
8	G 3/8	22	17	30	0438000139
10	G 3/8	22	19	30	0438000140
12	G 3/8	24	22	30	0438000241



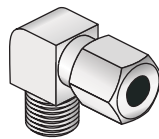
Straight fitting GE



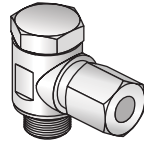
Non-return valve RGE, RVB



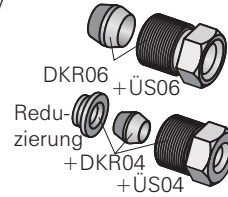
Elbow fitting WE



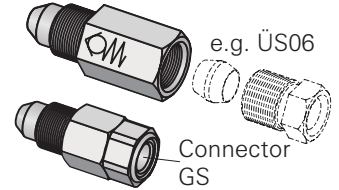
Swivelling elbow fitting WS



Union screw ÜS (complete)



Non-return valve RVA for ÜS04 or ÜS06



Designation	Thread	Pipe-Ø	Series	Order-no.
-------------	--------	--------	--------	-----------

Designation	Thread	Pipe-Ø	Series	Order-no.
-------------	--------	--------	--------	-----------

See dimensions of the non-return valve under "Accessories progressive distributors", see dimensions of the fittings under "Fittings and accessories".

Progressive distributor MX-F

Straight fitting (inlet)

GE06LL M10x1k 6 LL 04012000306

GE08LL M10x1k 8 LL 04012020306

Elbow fitting (at the inlet)

WE06LL M10x1k 6 LL 04012200306

WE08LL M10x1k 8 LL 04012220306

Swivelling elbow fitting (at the inlet)

WS06LL M10x1 6 LL 04013200206LL

WS08LL M10x1 8 LL 04013220206LL

Retaining screw (at the outlet) complete

ÜS04 M10x1 4 4010960080000

ÜS06 M10x1 6 4010960070000

Plug-type connector (at the outlet)

GS04 M10x1 4 FAZ03605-01

GS06 M10x1 6 FAZ03605-00

Non-return valve (at the outlet)

RVA04/06 M10x1 6 LL 4010960040000

RVB06 M10x1 6 LL 0438000179

Progressive distributors SX-1, SX-2

Straight fitting (at inlet and outlet)

GE06LL G1/8 6 LL 04012000906

GE08LL G 1/8 8 LL 04012020906

GE06L G 1/8 6 L 04012000906L

Non-return valves (at the outlet)

RGE06LL G1/8 6 LL 0438000064

RGE08LL G 1/8 8 LL 0438000063

RGE06L G 1/8 6 L 0438000164

RGE08L G 1/8 8 L 0438000148

Progressive distributor SX-3

Straight fitting of stainless steel (at the inlet and outlet)

GE06LL G 1/8 6 LL 04012000913LL

GE08LL G 1/8 8 LL 04012020913

GE06L G 1/8 6 L 04012000913

Non-return valve of stainless steel (at the outlet)

RGE06L G 1/8 6 L 0438000301

Progressive distributor UX, UX-5

Straight fitting (inlet)

GE08L G 1/2 8 L 04012021606

GE10L G 1/2 10 L 04012031606

GE12L G 1/2 12 L 04012041606

GE15L G 1/2 15 L 04012051606

Straight fitting (outlet)

GE06L G 3/8 6 L 04012001406

GE08L G 3/8 8 L 04012021406

GE10L G 3/8 10 L 04012031406

GE12L G 3/8 12 L 04012041406

Non-return valves (at the outlet)

RGE06L G 3/8 6 L 0438000425

RGE08L G 3/8 8 L 0438000139

RGE10L G 3/8 10 L 0438000140

RGE12L G 3/8 12 L 0438000241

Swivelling elbow fitting only for UX (at the outlet)

WS12L G 3/8 12 L 04013241406

WS10S G 3/8 10 S 04013231406

Subject to alterations!

Fittings

Designation Thread Pipe-Ø Series Order-no.

Progressive distributor SXE-2

Straight fitting (inlet)

GE06L	G 1/4	6	L	04012001006L
GE08L	G 1/4	8	L	04012021006
GE10L	G 1/4	10	L	04012031006
GE12L	G 1/4	12	L	04012041006

Elbow fitting (at the inlet)

WE08L	R 1/4"K	8	L	04012220806
WE10L	R 1/4"K	10	L	04012230806

Swivelling elbow fitting (at the inlet)

WS08L	G 1/4	8	L	04013221006
WS10L	G 1/4	10	L	04013231006

Straight fitting (outlet)

GE06LL	G 1/8	6	LL	04012000906
GE08LL	G 1/8	8	LL	04012020906
GE06L	G 1/8	6	L	04012000906L

Non-return valves (at the outlet)

RGE06LL	G 1/8	6	LL	0438000064
RGE08LL	G 1/8	8	LL	0438000063
RGE06L	G 1/8	6	L	0438000164
RGE08L	G 1/8	8	L	0438000148

Progressive distributor SXE-3

Straight fitting (inlet)

GE06L	G 3/8	6	L	04012001406
GE08L	G 3/8	8	L	04012021406
GE10L	G 3/8	10	L	04012031406
GE12L	G 3/8	12	L	04012041406

Elbow fitting (at the inlet)

WE12L	R 3/8"K	12	L	04012243306
--------------	---------	----	---	-------------

Swivelling elbow fitting (at the inlet)

WS12L	G 3/8	12	L	04013241406
--------------	-------	----	---	-------------

Straight fitting (outlet)

GE06L	G 3/8	6	L	04012001406
GE08L	G 3/8	8	L	04012021406
GE10L	G 3/8	10	L	04012031406
GE12L	G 3/8	12	L	04012041406
GE15L	G 3/8	15	L	04012051406

Non-return valves (at the outlet)

RGE06L	G 1/4	6	L	0438000138
RGE08L	G 1/4	8	L	0438000137
RGE10L	G 1/4	10	L	0438000396
RGE12L	G 1/4	12	L	0438000397

Designation Thread Pipe-Ø Series Order-no.

Progressive distributor SXD

Straight fitting (at the inlet and outlet)

GE06L	G 3/8	6	L	04012001406
GE08L	G 3/8	8	L	04012021406
GE10L	G 3/8	10	L	04012031406
GE12L	G 3/8	12	L	04012041406
GE15L	G 3/8	15	L	04012051406

Swivelling elbow fitting (at the inlet)

WS12L	G 3/8	12	L	04013241406
--------------	-------	----	---	-------------

Non-return valves (at the outlet)

RGE06L	G 3/8	6	L	0438000425
RGE08L	G 3/8	8	L	0438000139
RGE10L	G 3/8	10	L	0438000140
RGE12L	G 3/8	12	L	0438000241

Progressive distributor SX-4

Straight fitting (inlet)

GE06L	G 1/4	6	L	04012001006L
GE08L	G 1/4	8	L	04012021006
GE10L	G 1/4	10	L	04012031006
GE12L	G 1/4	12	L	04012041006

Non-return valves (at the outlet)

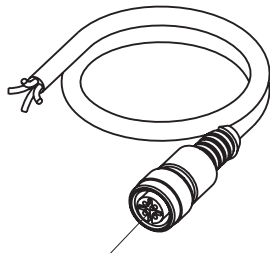
RGE06LL	G 1/8	6	LL	0438000064
RGE08LL	G 1/8	8	LL	0438000063
RGE06L	G 1/8	6	L	0438000164
RGE08L	G 1/8	8	L	0438000148
RGE06L	G 1/4	6	L	0438000138
RGE08L	G 1/4	8	L	0438000137
RGE10L	G 1/4	10	L	0438000396
RGE12L	G 1/4	12	L	0438000397

Straight fitting (outlet)

GE06LL	G 1/8	6	LL	04012000906
GE08LL	G 1/8	8	LL	04012020906
GE06L	G 1/8	6	L	04012000906L
GE06L	G 1/4	6	L	04012001006L
GE08L	G 1/4	8	L	04012021406
GE10L	G 1/4	10	L	04012031406
GE12L	G 1/4	12	L	04012041406
GE06S	G 1/4	6	S	04012001006
GE08S	G 1/4	8	S	04012021006S

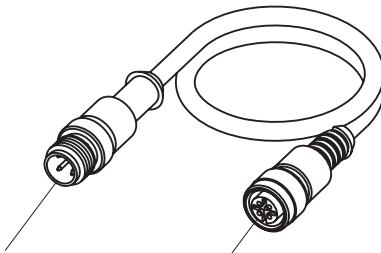
Subject to alterations!

Fig. 1



Socket M12x1 for connection at proximity switch

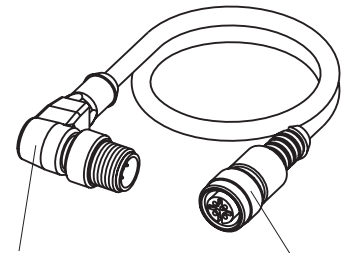
Fig. 2



Plug M12x1 straight

Socket M12x1 for connection at proximity switch

Fig. 3



Plug M12x1 angular

Socket M12x1 for connection at proximity switch

Plugs and cables for proximity switches

Connection cable for the connection to external monitoring units or for the connection to a control with Hirschmann connector

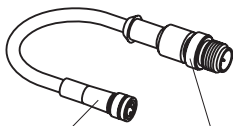
Order-no.	Cable length [m]	Fig.
1000 91 2458	2	1
1000 91 1237	5	1
1000 91 2457	10	1

Plugs and cables for proximity switches

Connection cable for the connection to the integrated controls BEKA-troniX1 and EP-tronic with bayonet connector

Order-no.	Cable length [m]	Plug form	Fig.
1000 91 2464	2	straight	2
1000 91 2465	5	straight	2
1000 91 2467	2	angular	3
1000 91 2468	5	angular	3

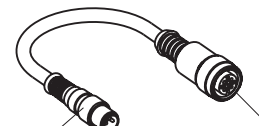
Fig. 4



Socket M8x1 for connection at proximity switch

Plug M12x1 straight for connection at connection cable

Fig. 5



Plug M8x1 for the connection to connection cable

Socket M12x1 straight for connection at proximity switch

Plugs and cables for proximity switches

Adapter cable with a straight socket M8x1 for the connection at the existing proximity switch M8x1 and a straight plug M12x1 for the connection at the connection cable (see fig. 4)

Adapter cable with a straight socket M12x1 for the proximity switch and a straight plug M8x1 for the connection to the already existing cables with socket M8x1 (see fig. 5)

Order-no.	Cable length [cm]	Fig.
1000 91 2495	30	4
1000 91 2496	30	5



Flow control valve

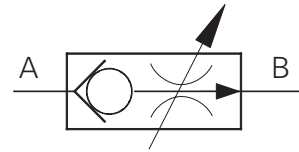
Use

The flow control valve supplies e.g. cylinders in hydraulic systems and friction points in central lubrication systems with an adjustable oil volume flow, which is not depending on pressure fluctuations and is mostly viscosity independent.

The volume flow can be adjusted at a knurled thumbscrew with fine regulation. Please observe the diagrams on the next page. The adjustment screw is secured against unauthorized adjustment by a protection cap, which can be provided with a lead seal.

A new regulation system makes self-cleaning of the throttle system also for smallest adjustable volume flows possible. The system of pressure regulators and comparator throttles even can purify itself when washed up particles are bigger than the cross section of the throttle.

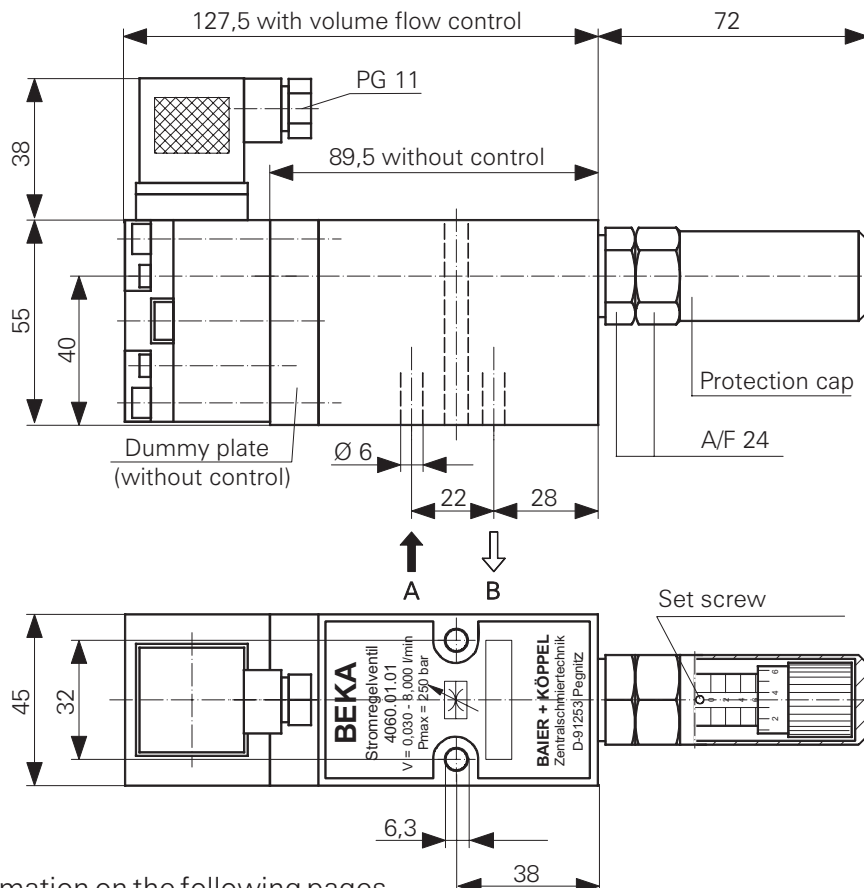
Symbol according to DIN ISO 1219



Technical data

Range of operating pressure:	10 to 250 bar
Pressure loss (Δp):	7 bar
Medium:	oil on synth. and mineral base
Viscosity range:	10 to 1000 mm ² /s
Volume flow range:	0,1 to 8 l/min
Temperature range:	0 °C to 60 °C
Installation position:	optional
Material:	steel, barnished
Weight (without control):	1,650 kg
Scope of delivery:	with screws M6x65 DIN 912

Dimension drawing



See order information on the following pages

Subject to alterations!

Flow control valve

Order number:

Flow control valve

4060 11 01

without monitoring element (volume flow control)

= 01

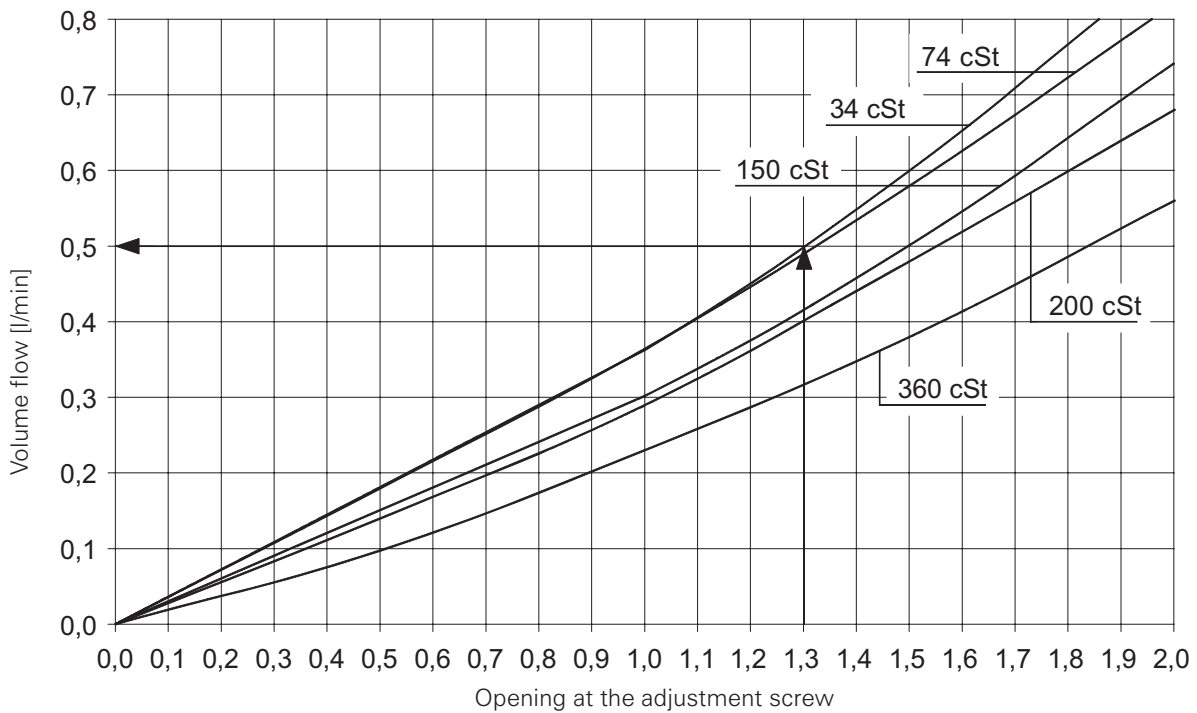
with volume flow control, measurement volume 1,2 cm³ (standard)

= 11

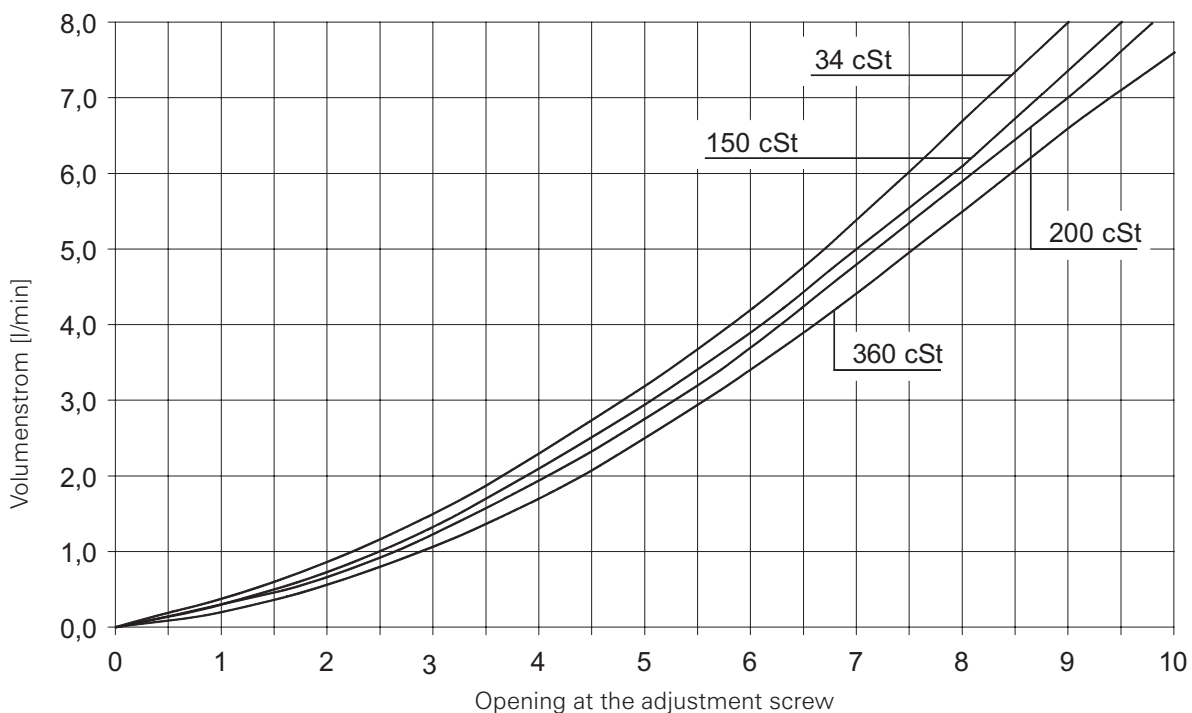
See order information for connecting plate with plug-in sieve at the respective distributors

Accessories

Volume flow diagram 1, lower adjustment range



Volume flow diagram 2, total adjustment range



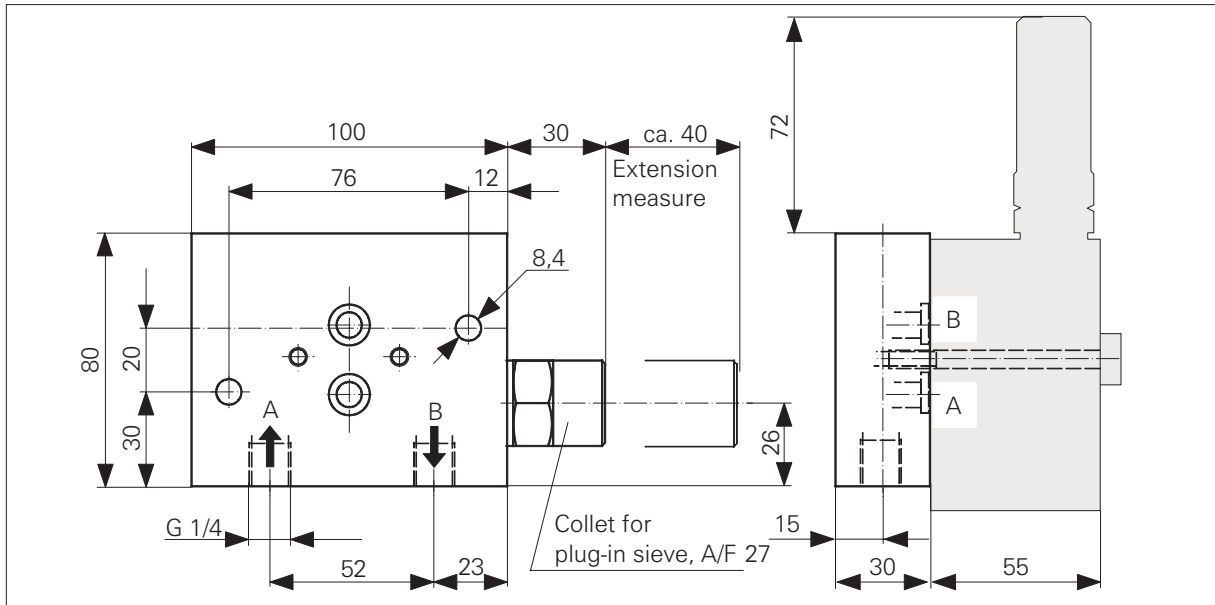
These curves show the measurement values of the viscosity in mm²/s (cSt) with mineral oils at test temperature. Subject to alterations!

04-4-30-02 state: 01.09GB

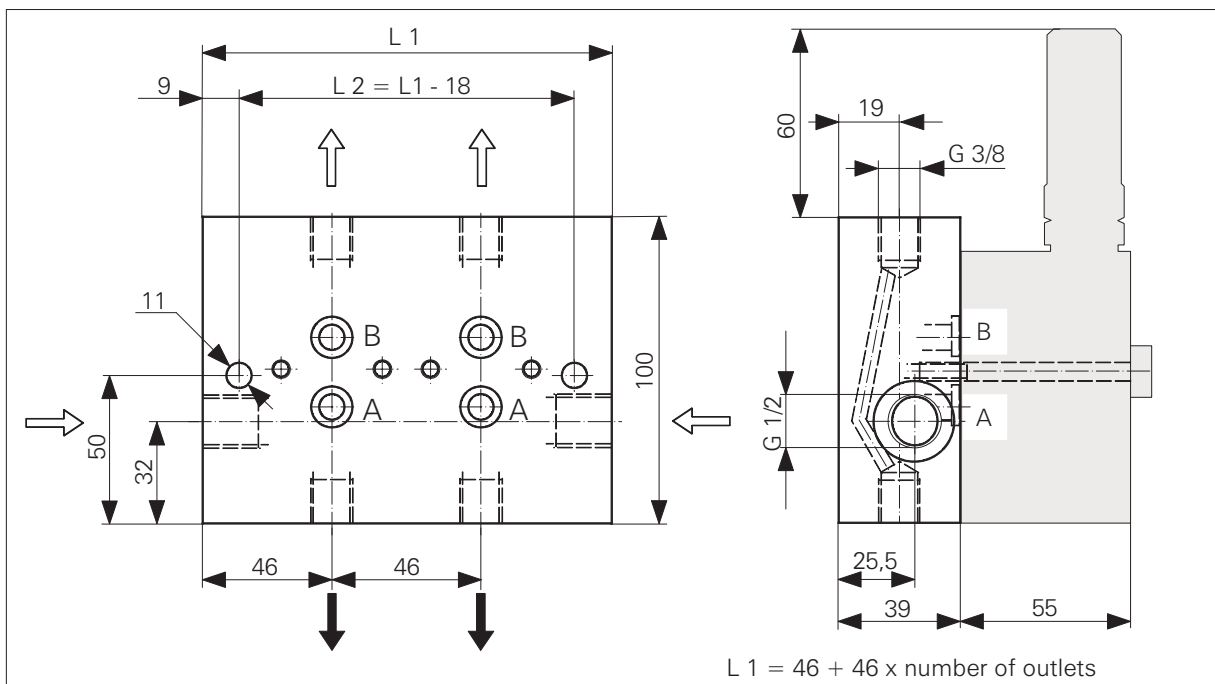
Valve plate (separate)

Use: For flanging flow control valves.

Dimension drawing, one outlet with plug-in sieve (model 1)



Dimension drawing, without plug-in sieve (model 2)



Order number:

Valve plate		4061 0101
Model 1 with plug-in sieve, MW 0,1	= 01	
Model 1 with plug-in sieve, MW 0,3	= 03	
Model 2 without plug-in sieve	= 02	
No. of outlets, model 1	= 01	
model 2	= 01 to 10	

(MW = mesh size)

Technical data:

Material:	aluminum
Delivery scope:	connecting plate, sealing rings (NBR), plug-in sieve (only model 1)
Weight (without control) model 1:	0,70 kg
Model 2, basic weight:	0,50 kg
Additional weight from 1. outlet, p. outlet:	0,25 kg

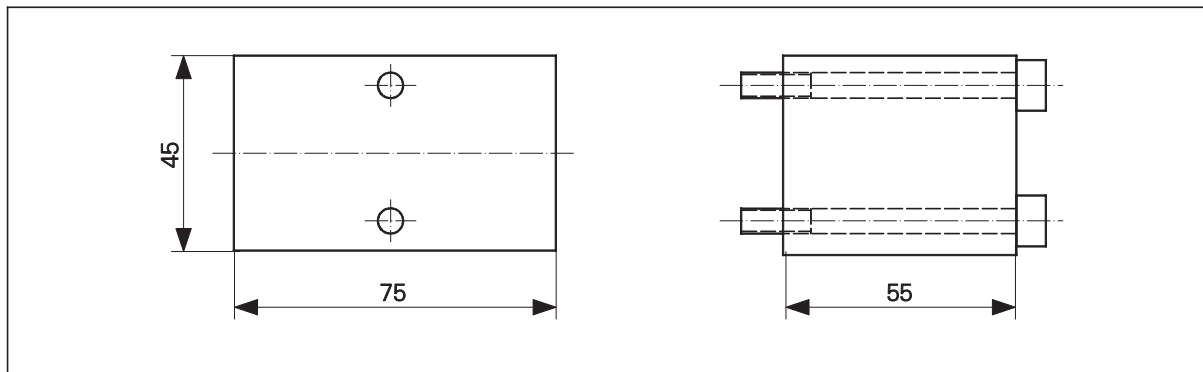
Subject to alterations!

Flow control valve

Dummy element

Use: For assembly on the connecting plate instead of the flow control valve.

Dimension drawing



Order-number:

Order-no. dummy element: 40600000

Technical data

Material: aluminum
 Weight: 0,45 kg
 Delivery scope: with screws M6x65 DIN 912

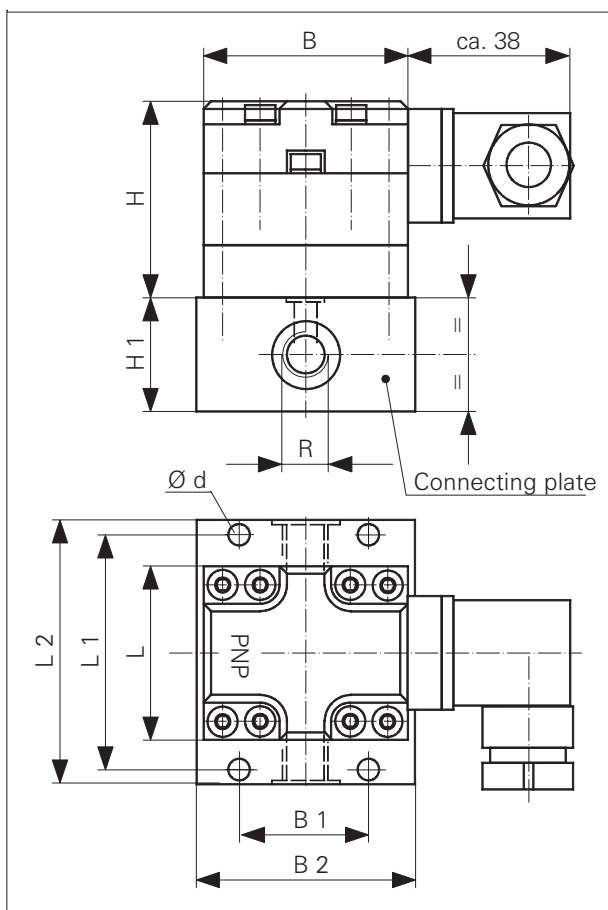
Volume flow control

Use

The control serves for the electronic monitoring of volume flows in central lubrication systems.

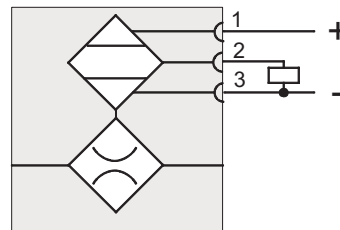
Two meshing gear wheels are rotated by the passing through medium. An electric signal is given with each revolution of the gear wheels. The signal transmitter operates semiconductor-controlled, touch- and contact free. The pulses are in a pulse duty ratio of 1:1 per gear wheel revolution.

Dimension drawing



See the order information on the following pages

Symbol and connection



Technical data

Max. operating pressure.:	250/630 bar
Lubricant:	mineral oil
Viscosity range:	20 to 1000 mm ² /s
Volume flow range:	0,05 to 12 (8) l/min
Chamber volume:	1,2 cm ³ /revolution
Measurement volume:	1,2 cm ³
Flow direction:	optional
Installation position:	optional
Voltage:	24 (16...30) V DC
Operating current, damped:	30 mA
Operating current, undamped:	2,9 mA
Max. switching current:	80 mA
Max. frequency:	100 Hz
Temperature range:	-10 °C to 60 °C
Weight:	see table
Material:	see table

Sizes, weights and materials:

Size:	FXE 250	FXE 630
B	54	70
B 1	45	50
B 2	60	70
L	45	70
L 1	58	86
L 2	70	100
H	52	57
H 1	30	40
R	G 1/4	G 1/2
Ø d	6,3	8,4
Weight kg:		
Control	0,700	2,200
Connecting plate	0,850	1,800
Material:		
Control housing	St	St
Lid	Al	VA
Connecting plate	St	St

Subject to alterations!

Volume flow control FXE

Note

The volume flow control FXE 250 can also be attached directly to the flow control valves, order-no.: 4060...

Identification

Measurement volume 1,2 cm³, transducer sensor: PNP2

The controls' sensors are sustained short-circuit proof, reverse connect protected and overload proof.

Order-number:

	4063 12 1 0 2	only connecting plate	4064 00 1 0 2
Volume flow control			
Measurement volume: 1,2 cm ³ /U = 12			
Operating pressure: 250 bar = 1			
630 bar = 2			
Material: standard (see description) = 0			
Connecting plate: without = 0			
with, connection G 1/4 = 2 for FXE 250			
with, connection G 1/2 = 4 (for FXE 630)			

Progressive Central Lubrication Systems

Accessory progressive distributor



Accessories

04-4-30-07 state: 01.09GB

Subject to alterations!



BAIER+KÖPPEL GMBH+CO
PRÄZISIONSAPPARATEFABRIK

BEETHOVENSTRASSE 14
91257 PEGNITZ

POSTFACH 13 20
91253 PEGNITZ

GERMANY

fon +49 9241 729-0
fax +49 9241 729-50

e-mail beka@beka-lube.de
web www.beka-lube.de

 **BEKA**



Industrial Lubrication



Vehicle Lubrication Systems



Spray Lubrication Systems



Lubrication Systems for the Packaging
and Filling Industry



Lubrication Systems for Wind Converters



Environmental Technology



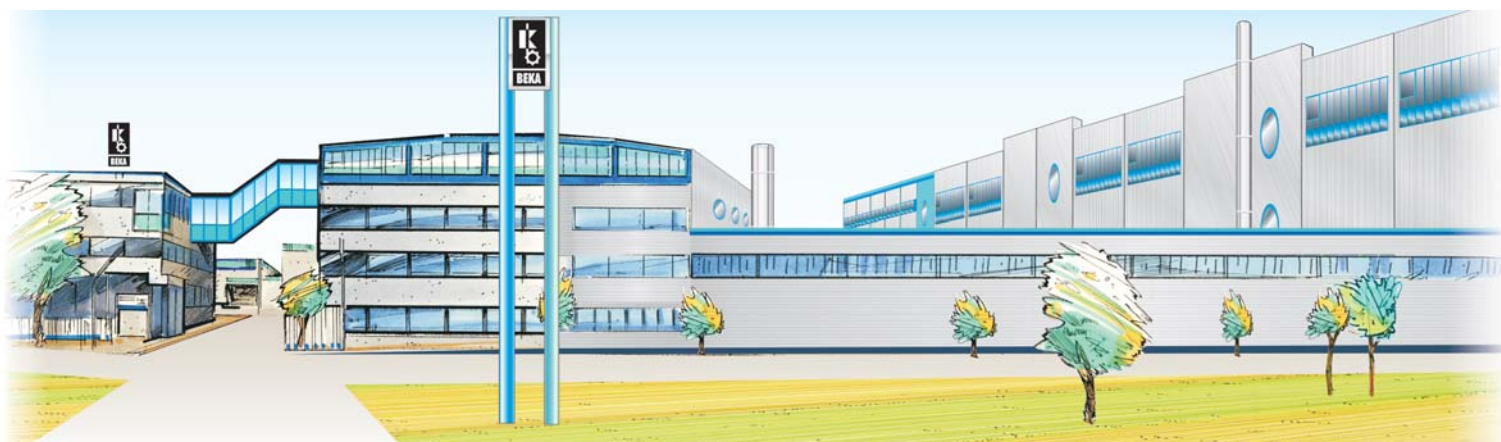
Control and Monitoring Electronics



Telemetric Systems



Machines, Plants, Tools



Subsidiaries

AUSTRIA

BEKA-Lube GmbH
Lieferinger Hauptstrasse 93
5020 Salzburg
fon 0043 / 662 / 43 84 40
fax 0043 / 662 / 42 07 17
e-mail office@beka-lube.at

BELGIUM

BEKA LUBE N.V.S.A.
Demerstraat 32
BE 3200 Aarschot
fon 0032 / 16 / 64 09 26
fax 0032 / 16 / 64 05 48
e-mail bekalube@skynet.be

CANADA

BEKA-LUBE Products Inc.
2830 Argentinia Road, Unit 9
Mississauga ON L5N 8G4
fon 001 / 905 / 821 / 1050
fax 001 / 905 / 858 / 0597
e-mail info@beka-lube.com

CHINA

EAST TSANHAIR COMPANY LTD.
Room 206, No. 9 Hangfeng
Road, Fengtai Science City
Beijing 100070, P.R. China
fon 0086 / 10 / 83 681 526
fax 0086 / 10 / 83 681 520
e-mail east-tsanhair@263.net

FRANCE

BEKALUBE FRANCE
4, bis Rue de l'Artisanat
89100 Paron
fon 0033 / 386 / 83 39 06
fax 0033 / 386 / 83 39 06
e-mail contacts@bekalube.fr

ITALY

BEKALUBE s.r.l.
Via Rossi 152
20043 Arcore
fon 0039 / 039 / 618 00 88
fax 0039 / 039 / 61 75 23
e-mail bekalube@bekalube.it

KOREA

BEKA AHWON
326-1 Dangnung Dong
Gunpo Si Kyungki Do Korea
fon 0082 / 31 / 451 / 0628
fax 0082 / 31 / 451 / 0974
e-mail jhleeahwon@yahoo.co.kr

NETHERLANDS

BEKA NEDERLAND B.V.
Wagenmakerij 11
4762 AV Zevenbergen
fon 0031 / 168 / 37 15 38
fax 0031 / 168 / 33 83 29
e-mail info@beka.nl

TURKEY

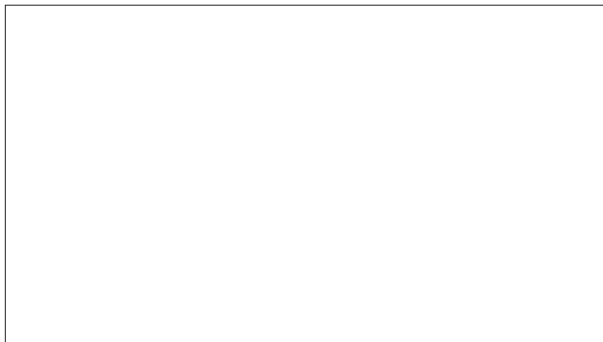
BEKAMAKS MAKINA SANAYI
VE TICARET LTD. STI.
Küçükyalı is Merkezi
34852 Maltepe / Istanbul
fon 0090 / 216 / 367 34 00
fax 0090 / 216 / 367 33 85
e-mail info@bekamaks.com

USA

BEKA-MAX of America
2600 North America Drive Suite 8
P.O. Box 615
West Seneca, NY 14224
fon 001 / 905 / 821 / 1050
fax 001 / 905 / 858 / 05 97
e-mail info@beka-lube.com

Agencies

Argentina	Hungaria	Poland
Australia	India	Portugal
Bosnia	Indonesia	Russia
Brazil	Iceland	Serbia
Croatia	Ireland	Slovakia
Czechia	Latvia	Slovenia
Denmark	Lithuania	South Africa
Estonia	Luxemburg	Spain
Finland	Malaysia	Sweden
Great Britain	Morocco	Switzerland
Greece	New Zealand	White russia
Hong Kong	Norway	and others



Contents