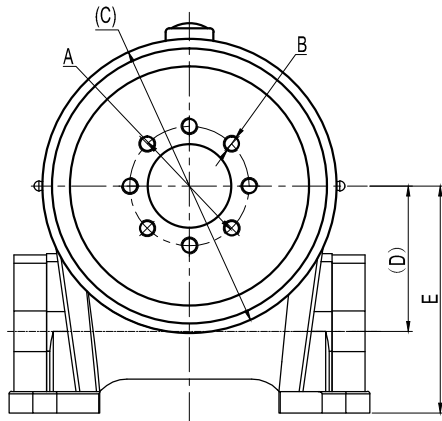
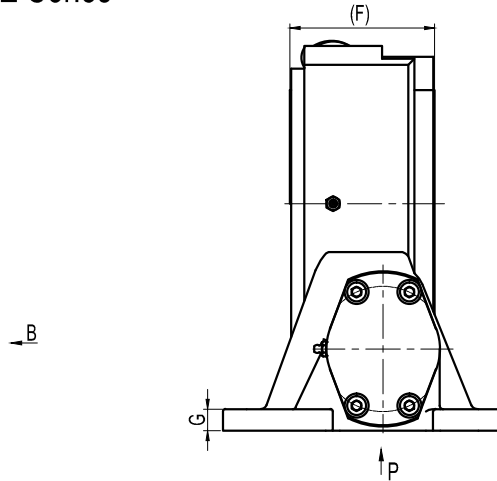


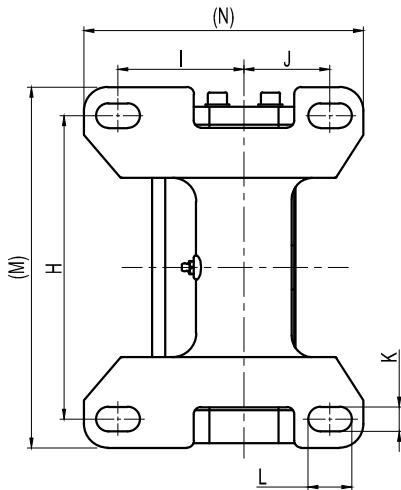
HE Series



VIEW P

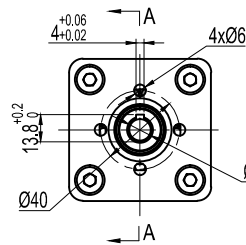


3"-5" Slewing drive

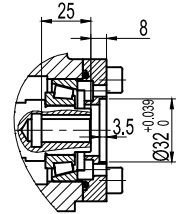


VIEW B

Section A-A

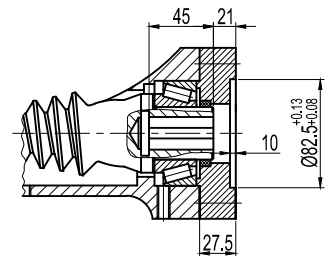
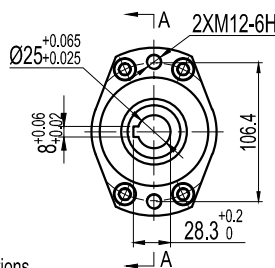


6"-9" Slewing drive



VIEW B

Section A-A



NOTE: The interface dimension depends on actual customer requirements and specifications.

Mounting Dimension Sheet

TYPE	A	B	C	D	E	F	G	H	I	J	K	L	M	N	UNIT: mm
HE3	ø64	6×M10 DP.15	ø149	80.0	119.0	90	10	174	60.00	60.00	ø18.0	ø18.0	210	160	
HE5	ø70	8×M10 DP.15	ø201	95.8	155.0	105	15	254	104.00	83.00	20.5	30.0	270	241	
HE6	ø105	8×M12 DP.18	ø216	106.5	190.0	108	15	254	105.50	72.00	20.5	36.5	302	234	
HE7	ø130	8×M14 DP.20	ø246	121.7	190.0	123	18	254	105.50	72.00	20.5	36.5	302	234	
HE8	ø165	8×M14 DP.20	ø286	141.7	209.7	128	18	254	105.50	72.00	20.5	36.5	302	234	
HE9C	ø210	8×M16 DP.24	ø351	174.2	245.0	138	20	254	88.75	88.75	20.5	36.5	320	238	
HE9D	ø210	8×M16 DP.24	ø351	174.2	240.0	138	28	254	88.75	88.75	20.5	36.5	340	268	

Performance Parameters

TYPE	Slewing Drive Ratio	Efficiency	Nom. Output Torque	MAX. Output Torque	Holding Torque	Tilting Moment Torque	Static Radial Rating	Static Axial Rating	Dynamic Radial Rating	Dynamic Axial Rating	Self-locking	Torsion Stiffness	Bending Stiffness
HE3	62	30%	650	899	3,000	1,000	16.6	29.4	8.4	9.6	YES	222	106
HE5	51	43%	1,000	2,000	12,000	10,000	7.5	30.0	4.6	14.0		1,444	1,176
HE6	51	43%	1,250	2,500	15,000	11,000	27.1	67.9	14.0	33.0		1,100	900
HE7	51	43%	2,400	4,800	28,000	16,950	22.5	56.5	11.6	14.0		1,444	1,176
HE8	61	43%	3,500	7,000	36,000	16,950	22.5	56.5	11.6	14.0		1,444	1,176
HE9C	61	43%	4,480	8,960	40,000	17,600	22.5	56.5	11.6	14.0		1,444	1,176
HE9D	61	43%	4,480	8,960	60,000	17,600	22.5	56.5	11.6	14.0		1,444	1,176