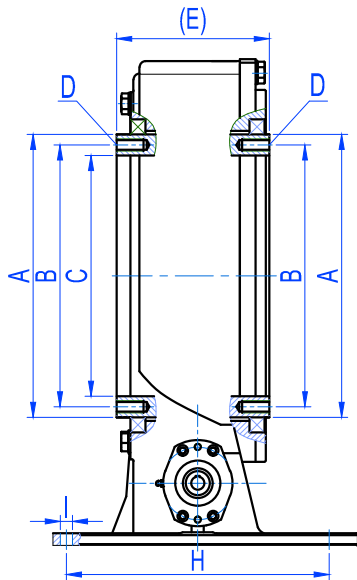
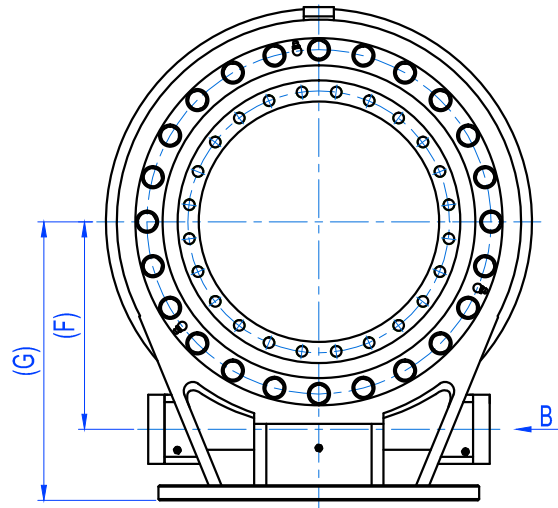


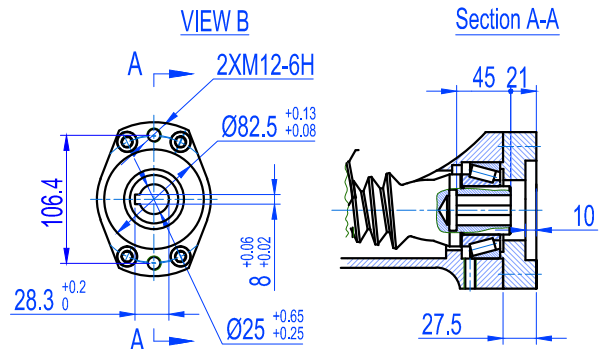
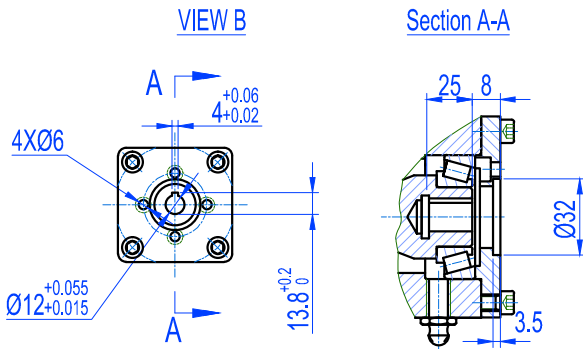
VE Series



3"~7" Slewing drive



9"~21" Slewing drive



NOTE: The interface dimension depends on actual customer requirements and specifications.

Mounting Dimension Sheet

UNIT: mm

TYPE	A	B	C	D	E	F	G	H	I
VE3	Ø85	Ø70	Ø50	6xM8 DP.16 EQS	93	80.0	140	Ø100	4xØ11
VE5	Ø120	Ø100	Ø80	6xM12 DP.24 EQS	88	95.8	146	130x160	4xØ17.5
VE7	Ø145	Ø120	Ø25	8xM12 DP.24 EQS	120	133.2	204	135x160	4xØ17.5
VE9	Ø130	Ø100	Ø66	8xM16 DP.32 EQS	151	174.1	266	190.5x254	4xØ20.5
VE14	Ø180	Ø130	Ø30	8xM16 DP.32 EQS	280	237.6	305	Ø295	10xØ18
VE17	Ø420	Ø390	Ø360	16xM16 DP.32 EQS	220	280.4	364	Ø365.13	16xØ18
VE21	Ø470	Ø435	Ø400	24xM20 DP.40 EQS	254	345.0	598	Ø466.7	22xØ22

Performance Parameters

TYPE	Slewing Drive Ratio	Efficiency	Nom. Output Torque	MAX. Output Torque	Holding Torque	Tilting Moment Torque	Static Radial Rating	Static Axial Rating	Dynamic Radial Rating	Dynamic Axial Rating	Self-locking	Torsion Stiffness	Bending Stiffness
			N.m	N.m	N.m	N.m	kN	kN	kN	kN		Nm/mRad	Nm/mRad
VE3	62	30%	599	899	2,100	500	8.3	14.7	4.2	4.8	YES	167	80
VE5	62	30%	849	1,274	4,340	3,508	13.6	34.0	7.0	8.2		192	356
VE7	73	30%	2,010	4,020	10,062	9,489	53.3	133.2	27.9	31.9		580	1,400
VE9	61	43%	4,480	8,960	39,083	31,500	134.9	337.4	70.9	81.0		825	1,678
VE14	85	43%	6,497	12,994	54,455	47,460	222.0	555.0	116.6	133.2		2,400	7,224
VE17	102	43%	9,360	18,720	65,633	94,992	390.7	976.8	205.1	234.4		4,400	9,000
VE21	125	43%	16,010	32,020	81,000	152,380	639.4	1,598.5	335.7	383.6		4,500	12,000