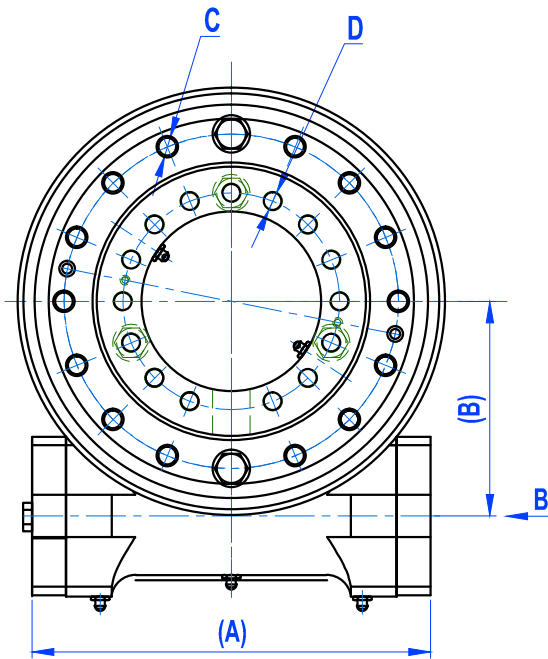
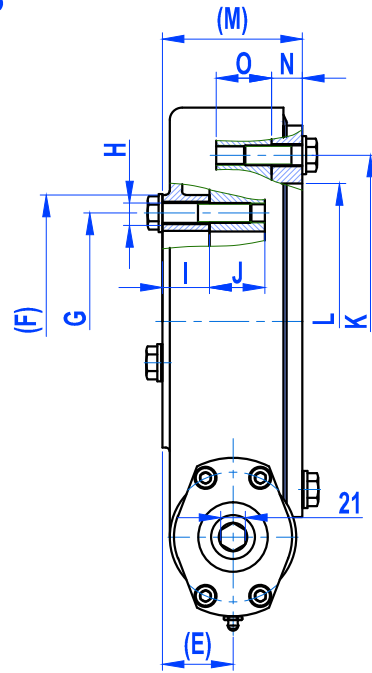


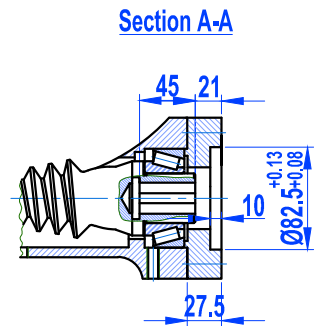
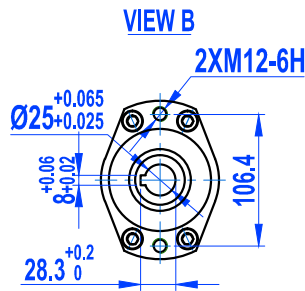
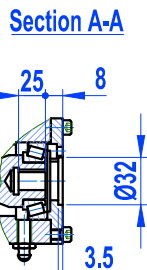
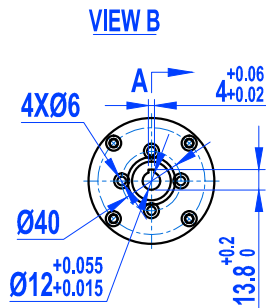
SE Series



7" Slewing drive



9"~25" Slewing drive



NOTE: The interface dimension depends on actual customer requirements and specifications.

Mounting Dimension Sheet

UNIT: mm

TYPE	A	B	C	D	E	F	G	H	I	J	K	L	M	N	O
SE7	189.0	133.2	8xM12 EQS	10xM12 Based on 10 EQS	44.5	Ø145	Ø120.7	Ø14	20	18	Ø203.2	Ø163.0	90.4	27	18
SE9	321.7	174.1	16xM16 EQS	15xM16 Based on 16 EQS	57.1	Ø204	Ø175.0	Ø18	38.1	44	Ø270.0	Ø222.5	113.1	25	44
SE12	331.5	220.0	18xM16 EQS	19xM16 Based on 20 EQS	61.4	Ø289	Ø259.0	Ø18	39.4	44	Ø358.0	Ø308.5	114.4	25	44
SE14	337.5	237.6	18xM16 EQS	23xM16 Based on 24 EQS	65.1	Ø325	Ø295.0	Ø18	39.1	43	Ø390.0	Ø342.5	119.1	30	43
SE17	385.0	280.4	20xM16 EQS	20xM16 Based on 20 EQS	66.0	Ø406	Ø365.1	Ø18	47	48	Ø479.4	Ø425.0	126.0	23	48
SE21	470.0	345.0	36xM20 EQS	35xM20 Based ON 36 EQS	69.5	Ø533	Ø466.7	Ø22	41.5	50	Ø584.2		136.5		50
SE25	469.0	401.8	36xM20 EQS	36xM20 Based ON 36 EQS	76.2	Ø628	Ø565.0	Ø22	47	40	Ø675.0		130.0		40

Performance Parameters

DATA TYPE	Slewing Drive Ratio	Efficiency	Nom. Output Torque	MAX. Output Torque	Holding Torque	Tilting Moment Torque	Static Radial Rating	Static Axial Rating	Dynamic Radial Rating	Dynamic Axial Rating	Self-locking	Torsion Stiffness	Bending Stiffness
			N.m	N.m	N.m	N.m	kN	kN	kN	kN			
SE7	73	30%	2,010	4,020	7,034	13,556	53.3	133.2	27.9	31.9	YES	780	1,900
SE9	61	43%	4,480	8,960	39,083	45,000	135.0	337.4	70.9	81.0		1,125	2,378
SE12	78	43%	5,795	11,590	49,975	54,240	190.3	475.1	99.8	114.0		2,000	4,191
SE14	85	43%	6,497	12,994	54,455	67,800	222.0	555.0	116.6	133.2		3,400	9,224
SE17	102	43%	9,360	18,720	65,633	135,600	390.7	976.8	205.1	234.4		6,400	12,000
SE21	125	43%	16,010	32,020	81,000	203,400	639.4	1,598.5	335.7	383.6		7,500	82,000
SE25	150	43%	24,011	42,995	89,100	271,164	944.0	2,360.0	472.0	590.0		8,400	82,000